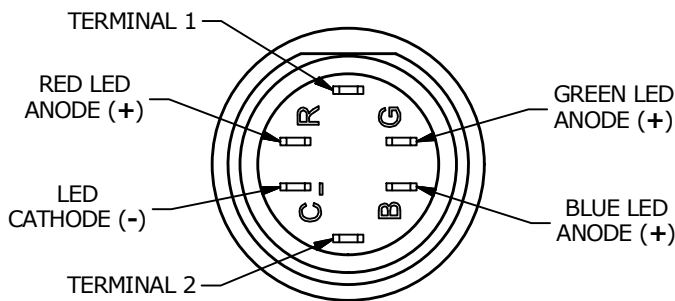
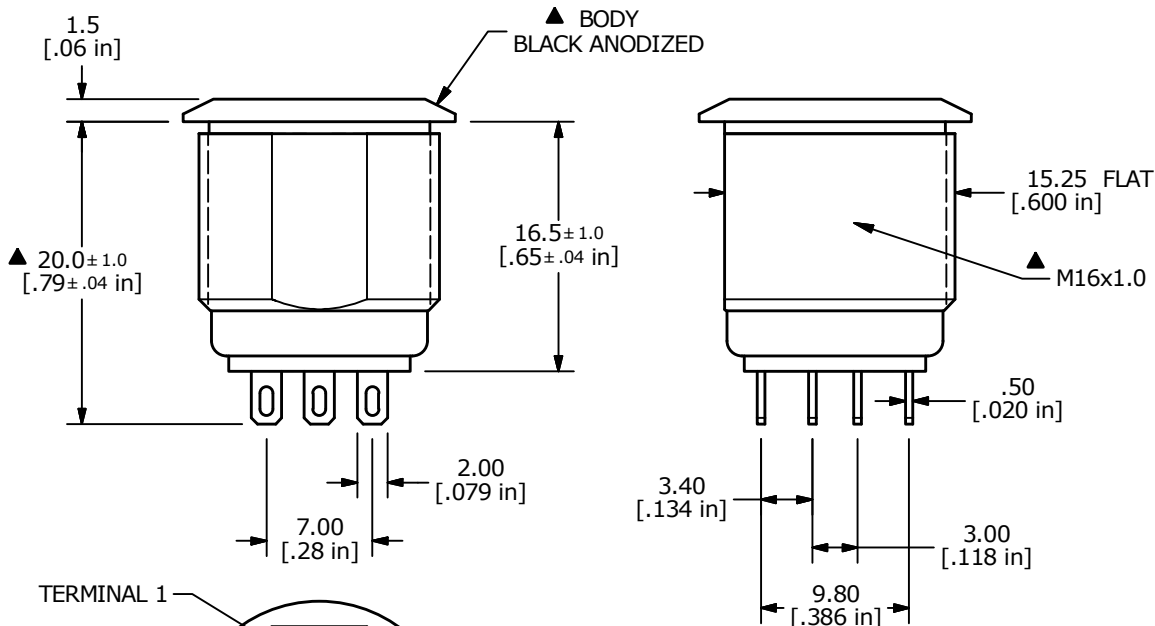
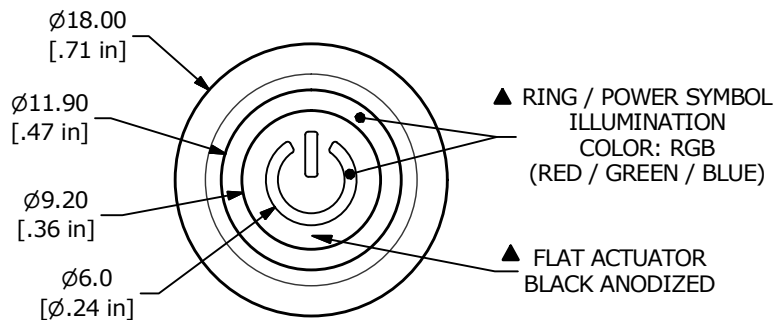
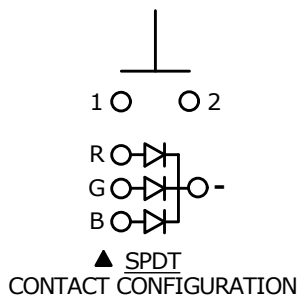


RECOMMENDED PANEL CUTOUT
MAX. PANEL THICKNESS
10.0mm [.31 in]



SWITCH FUNCTION	
POS. 1	POS. 2
OFF	(ON)
OPEN	1-2

(ON) = MOMENTARY



- NOTE:
- ALL DIMENSIONS IN MM [INCH]
 - GENERAL TOLERANCE: X.X = ±0.4
X.XX = ±0.25
 - TERMINAL NUMBERS FOR REF ONLY
 - CONTACT MATERIAL: SILVER PLATED
 - RATING: 2A 48VDC
 - ELECTRIC LIFE: 200,000 MAKE-AND-BREAK CYCLES AT FULL LOAD.
 - INSULATION RESISTANCE: 1,000 MΩ MIN.
 - DIELECTRIC STRENGTH: 2,000 VAC MIN. FOR 1 MINUTE
 - CONTACT RESISTANCE: 50mΩ MAX. @ 1A 12VDC
 - OPERATING TEMP.: -20°C to 55°C
 - TRAVEL: 1.8mm
 - ▲ DENOTES CRITICAL PARAMETER
 - HARDWARE SUPPLIED: O-RING AND HEXNUT (NOT SHOWN)
 - ILLUMINATION BASE RATING @ 20mA:
RED - 1.8V
GREEN - 2.8V
BLUE - 2.8V
 - 2011/65/EU (ROHS) COMPLIANT



A	23418	RELEASE FOR PRODUCTION	6/28/18	MW
REV	PCR NO	DESCRIPTION	DATE	BY

TITLE PV6F24011-3R1-M15				
SCALE	DATE	DR	DWG	REV
2:1	6/22/2018	MW	52-PV6F240113R1M15	A

THE INFORMATION CONTAINED IN THIS DOCUMENT IS PROPRIETARY TO E-SWITCH AND IS NOT TO BE COPIED OR TRANSFERRED